

ZPT-1 / ZPT-3 Buttstock Assembly Steps

ZPT-1 / ZPT-3戰術折疊伸縮托組裝步驟

CAUTION

注意!

Before extend the folding stock **PLEASE CHECK THE VIDEO FIRST!**

LCT would not be able to responsible for incorrect operation.

折疊槍托前請先觀看操作影片如有任何錯誤操作導致產品損壞，LCT概不負責。



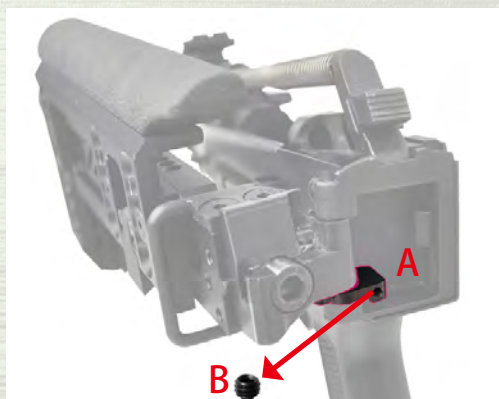
1. 移除原有後托固定插銷，ZPT-1/ZPT-3後托僅適用於改裝以上4型摺疊後托/托桿。
Remove the pin from the original buttstock, the ZPT buttstock only fit for these four folding stock models.



2. 將A組裝到紅框處。
Assemble A to the red block.



3. 將ZPT-1或ZPT-3組裝至槍身以插銷固定。
Assemble ZPT-1 or ZPT-3 to the receiver and use pin to fix.



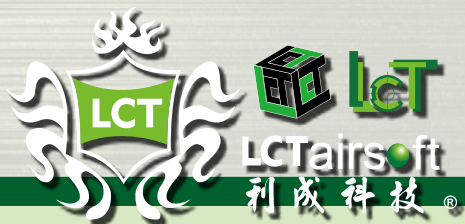
4. 以B固定A。
Use B to fix A.



5. 將紅框螺絲拆下可快速更換ZPT-1或ZPT-3。
Remove the screw of red block to change ZPT-1 or ZPT-3 quickly.



6. 展開後托前，請先按住按鈕，錯誤操作將導致產品損壞。
Please keeping press the button before extend the the folding stock. Incorrect operation will cause product damage.



Operation Video

