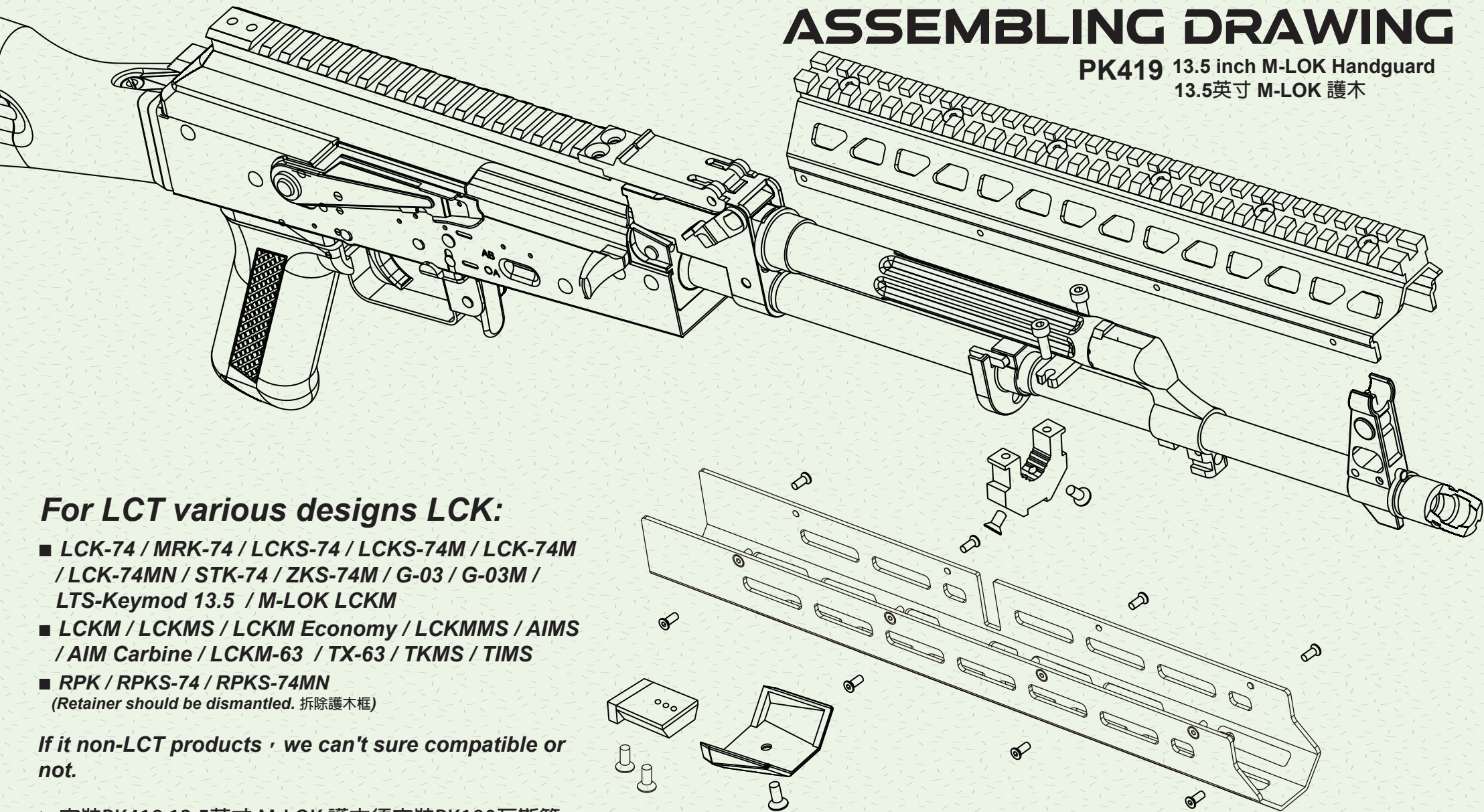


# ASSEMBLING DRAWING

PK419 13.5 inch M-LOK Handguard  
13.5英寸 M-LOK 護木



## For LCT various designs LCK:

- LCK-74 / MRK-74 / LCKS-74 / LCKS-74M / LCK-74M / LCK-74MN / STK-74 / ZKS-74M / G-03 / G-03M / LTS-Keymod 13.5 / M-LOK LCKM
- LCKM / LCKMS / LCKM Economy / LCKMMS / AIMS / AIM Carbine / LCKM-63 / TX-63 / TKMS / TMS
- RPK / RPKS-74 / RPKS-74MN  
(Retainer should be dismantled. 拆除護木框)

If it non-LCT products · we can't sure compatible or not.

- ▶ 安裝PK419 13.5英寸 M-LOK 護木須安裝PK190瓦斯管。PK-190 LCKM-63 Gas Tube be required before assemble PK-419 13.5 inch Slot handguard.



LCTairsoft