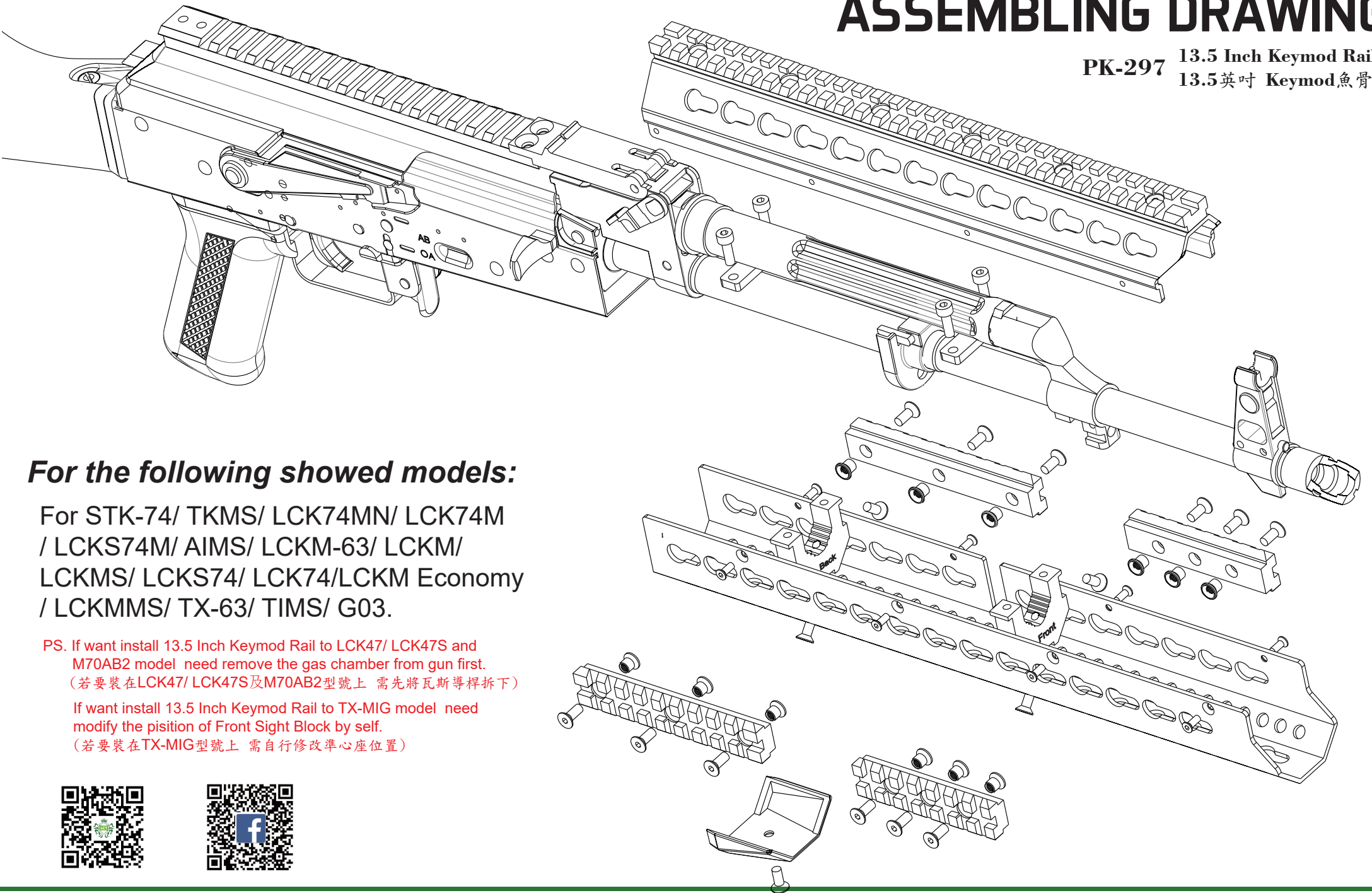


# ASSEMBLING DRAWING

PK-297 13.5 Inch Keymod Rail  
13.5英寸 Keymod魚骨



## For the following showed models:

For STK-74/ TKMS/ LCK74MN/ LCK74M  
/ LCKS74M/ AIMS/ LCKM-63/ LCKM/  
LCKMS/ LCKS74/ LCK74/LCKM Economy  
/ LCKMMS/ TX-63/ TIMS/ G03.

PS. If want install 13.5 Inch Keymod Rail to LCK47/ LCK47S and  
M70AB2 model need remove the gas chamber from gun first.  
(若要裝在LCK47/ LCK47S及M70AB2型號上 需先將瓦斯導桿拆下)

If want install 13.5 Inch Keymod Rail to TX-MIG model need  
modify the position of Front Sight Block by self.  
(若要裝在TX-MIG型號上 需自行修改準心座位置)

